

**PLEASE READ THIS INFORMATION BEFORE YOU USE THE PRODUCT  
AND RETAIN THESE INSTRUCTIONS FOR FUTURE REFERENCE**

# Firewinder®

The Original Windlight



**Firewinder Original has been designed to be easy to install and enjoy, however please ensure you have read these instructions carefully before using the product.**

- We recommend that you mount your Firewinder on a vertical wall or post using the Mounting Brackets supplied to ensure safe operation at all times.
- Failure to follow these instructions may cause injury or damage to your Firewinder or property
- The Firewinder Company does not accept responsibility for damage or injury that occurs to your Firewinder or property from incorrect installation
- Firewinder is not a toy and should be used under supervision of an adult
- If you require further guidance on installing your Firewinder, please visit [www.firewinder.com/installation](http://www.firewinder.com/installation) to see our step-by-step installation video and pictures showing typical installation locations
- NOTE: There is always a slight colour variation with white LEDs (sometimes they have a hint of blue/green) hence each Firewinder is subtly unique and slight colour variations will be seen at different wind speeds. This is perfectly normal.

## PRECAUTIONS

- Use the Mounting Brackets supplied (see point 2. overleaf)
- Install Firewinder so that it stands vertically
- Ensure your Firewinder is installed in a place where there is clear space for it to turn
- Consider the environment around your Firewinder – i.e. don't install Firewinder beside a rapid growing plant or in a pathway where it will get in the way of people, animals or vehicles
- Take Firewinder down from its mounting brackets if severe weather is forecast in your area
- Get permission from whoever owns the property where you plan to install your Firewinder
- Install Firewinder in daylight when it's not too windy
- Install Firewinder onto a secure surface or fixture that will not be damaged by the wind.
- Install Firewinder where it will not be struck by moving objects, debris or swaying branches
- Look after your Firewinder as if it's your favourite family heirloom.
- Don't break the laws of the land with your Firewinder, directly or indirectly
- Installing Firewinder where winds are likely to blow at over 60 mph is not recommended
- Ideally mount Firewinder with its base higher than 1.5m from the ground to avoid young children or pets walking into it
- Do not attach anything to your Firewinder
- Do not immerse your Firewinder in water
- Trying to stop Firewinder from rotating by hand may cause injury
- Do not abuse your Firewinder by swinging it or attaching it to moving objects
- We do not recommend you paint or otherwise decorate your Firewinder. It might affect performance or cause injury or damage
- Do not open the casing or attempt any kind of maintenance other than cleaning the exterior
- Never clean with abrasives or chemicals. These could damage the product or affect performance
- Do not hang or suspend anything from the base of your Firewinder

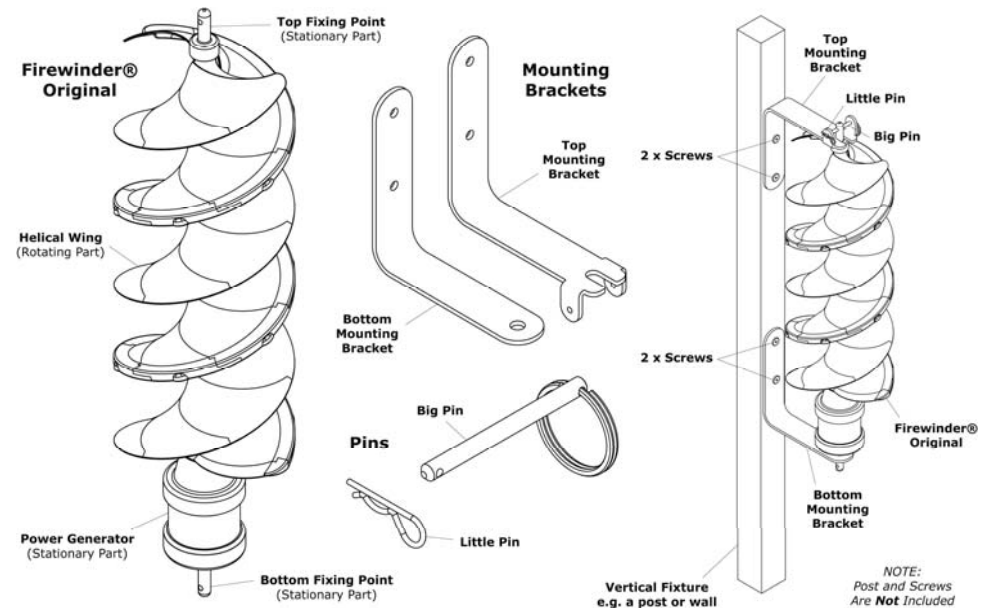
## INSTALLATION INSTRUCTIONS

### 1. Check package contents

Please check to make sure that you have all the necessary parts in the box, these will include:

- 1 x Firewinder Original
- 2 x Mounting Brackets - both are slightly different
- 1 x Big Pin and 1 x Little Pin – provided in a plastic bag

### 2. Getting to know your Firewinder



Stand your Firewinder upright on a flat surface resting on the Bottom Fixing Point and hold the Top Fixing Point with one hand. With the other hand, gently spin the Helical Wing. The lights will light up.

### 3. Identify the best place to install your Firewinder

Remember, you might find that the most pleasing place to install your Firewinder is not always the windiest location, so we recommend spending some time to study how the wind flows around your property before deciding where to make an installation. See [www.firewinder.com/installation](http://www.firewinder.com/installation) for pictures of typical installation locations.

Make sure the place you choose to install your Firewinder is safe to access and that you have permission to install it.

Once you have selected your desired location then consider the surface you intend to fix the Mounting Brackets to. You will need to purchase four suitable screws or bolts in order to install your Firewinder. It is your responsibility that the Mounting Brackets are fixed securely. We do not provide these fixtures simply because of the variety of installation possibilities.

If in doubt, take a photo of the place where you want to install your Firewinder and take the Mounting Brackets with you to a local DIY or hardware store and ask a friendly member of staff to recommend what type of fixtures you should use for a secure installation.

#### 4. Position mounting brackets

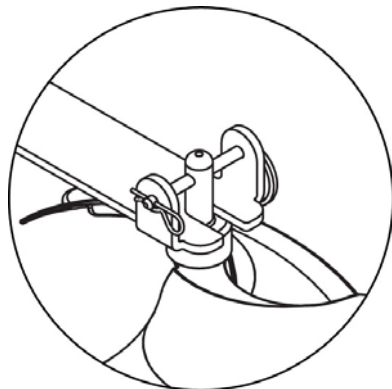
Great care needs to be taken to ensure the Mounting Brackets are the right distance apart and are correctly aligned. Note the correct orientation for the Mounting Brackets in the illustration.

Step 1 Hold the Top Mounting Bracket against the surface you wish to install it onto. Mark the centres of the two holes, taking great care to ensure the bracket is vertical. Drill if required. Screw or bolt the Top Mounting Bracket into position.

Step 2 Measure and mark precisely 25.5cm below the bottom edge of the Top Mounting Bracket - this will be where the top edge of the Bottom Mounting Bracket will sit. Mark the position of the holes, taking great care to ensure the bracket is vertical. Drill if required. Screw or bolt the Bottom Mounting Bracket securely into position.

#### 5. Install Firewinder

Once the Mounting Brackets are secure, Firewinder can be easily installed and secured using the Pins to lock it in position.



First, insert the Bottom Fixing Point of your Firewinder into the protruding hole in the Bottom Mounting Bracket. Then offer up the Top Fixing Point of your Firewinder into the groove at the front of the protruding part of the Top Mounting Bracket.

Carefully slide the Big Pin through the two holes on either side of the Top Mounting Bracket making sure the Big Pin passes through the hole in the tip of the Top Fixing Point, trapping the Top Fixing Point in position. Finally, insert the Little Pin into the eyehole at the tip of the Big Pin as illustrated, securing your Firewinder ready for operation.

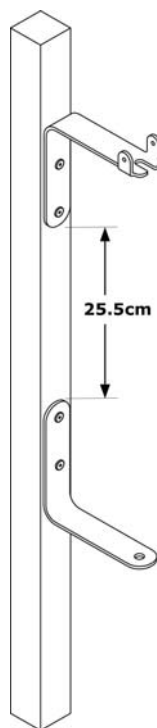
#### 6. Sit back and enjoy

Now your Firewinder is ready for you to enjoy... just wait for the wind to blow!

Whenever the wind blows faster than 3-4 mph Firewinder will create its spiralling light effect and in high winds Firewinder creates a pulsating pillar of light.

Sometimes it is possible for Firewinder to rotate in an anticlockwise direction, creating a downward spiral effect. This is generally caused by an object (e.g. a building, wall, fence or tree) obstructing the direction of air flow directly around the Firewinder. If this is not desired then seek an alternative place for installation.

If really severe weather is forecast, take down your Firewinder. Debris carried by high winds can damage Firewinder.



#### 7. Alternative installations

As you have read, we only recommend installation using the Mounting Brackets provided, however, it is perfectly possible to install your Firewinder in a variety of interesting locations with suitable rope or wire using the holes in the Top and Bottom Fixing Points.

**The Firewinder Company will not accept any responsibility for your actions.**

We recommend using a 4mm diameter double braid polyester rope suitable for marine use, which should be checked regularly for any signs of wear.

In order to stabilise your Firewinder in high winds we do recommend tethering the base fixing point.

#### 8. Disposal of unit

All plastic and metal parts should be recycled or disposed of in an environmentally friendly way. The unit can be disassembled by opening the base using commonly available tools. Firewinder must be disassembled under the supervision of an adult

#### 9. Returns Policy and limitation of liability

9.1 If your purchase is found to be faulty (where such fault is solely due to defective manufacturing or defective materials) within 28 days commencing with the date of purchase, please return it to us in its original packaging for exchange or repair. The Firewinder Company's duty to exchange or repair will only apply where the following conditions are fulfilled:

- The original invoice, or sales receipt (indicating the date of purchase and dealer's name) is presented together with the defective unit, fixtures and packaging
- The complete unit is returned to the manufacturer or country distributor, postage paid
- The unit has not been serviced, maintained, repaired, taken apart or tampered with by any person not authorised by the manufacturer and / or the Firewinder Company
- All service work is undertaken by the manufacturer or appointed agents

9.2 Refunds may only be offered within a period of 28 days commencing with the date of purchase if the item purchased is unused, sealed and is in its original packaging. Refunds for valid claims will be made via the same method of payment as used to place your order.

9.3 This does not affect your statutory rights.

VISIT US ONLINE AT [WWW.FIREWINDER.COM](http://WWW.FIREWINDER.COM) FOR FURTHER INFORMATION

IMPORTANT NOTE: Any pursuit that involves attempting to harness the elements has the potential to be dangerous. Please install your Firewinder correctly according to these instructions and be careful and sensible during operation.

For more information about any aspect of Firewinder please contact:

Customer Services  
The Firewinder Company Ltd  
The Old Library  
44 High Street  
Malmesbury  
Wiltshire  
SN16 9AT  
United Kingdom

Tel: +44 (0) 845 680 1591  
Fax: +44 (0) 845 680 1592  
Email: [info@firewinder.com](mailto:info@firewinder.com)